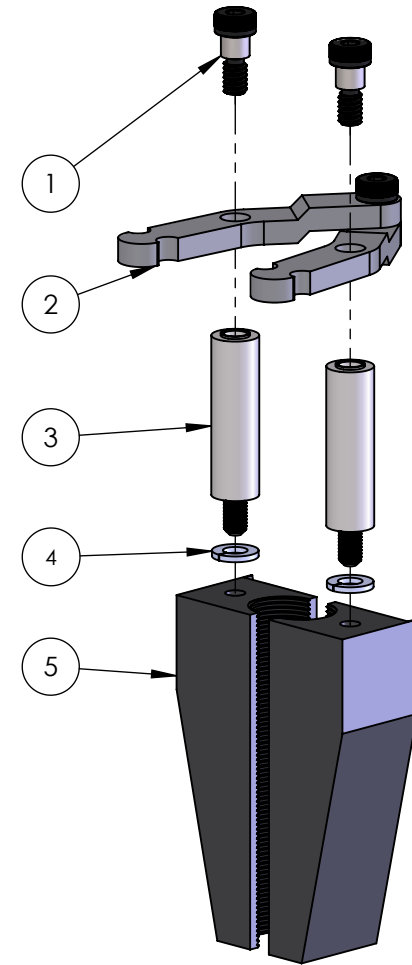
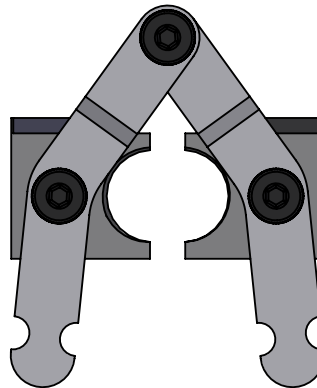
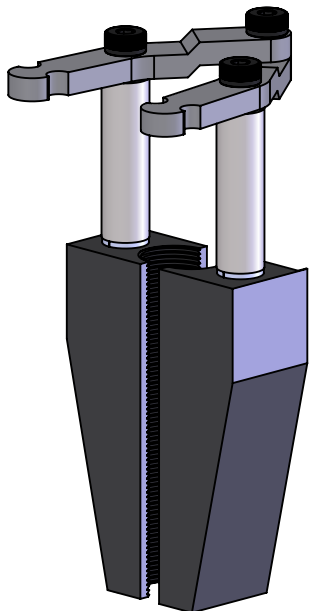


ITEM NO.	PART NUMBER	DESCRIPTION	QTY.
1	TT-FSNR-BA313H	Shoulder Screw (Short)	2
2	TTA-YOKE-ARMP	Monolithic Gripper Yoke Arm Assembly	1
3	TT-YOKE-ASM	Yoke Tower	2
4	TT-FSNR-YLW	1/4" Split Lock Washer	2
5	TT-GRPR-34ML	3/4" Monolithic Gripper Pair	1



B

B



Items 1-4 make up TTA-GA-YASM

A

A

PROPRIETARY AND CONFIDENTIAL
 THE INFORMATION CONTAINED IN THIS DRAWING IS THE SOLE PROPERTY OF **TRIC TOOLS, INC.** ANY REPRODUCTION IN PART OR AS A WHOLE WITHOUT THE WRITTEN PERMISSION OF **TRIC TOOLS, INC.** IS PROHIBITED.

		UNLESS OTHERWISE SPECIFIED:	NAME	DATE
		DIMENSIONS ARE IN INCHES	DRAWN	MFD
		TOLERANCES:	CHECKED	ZWD 10/26/2021
		FRACTIONAL ±	ENG APPR.	
		ANGULAR: MACH ±0.5°	MFG APPR.	
		TWO PLACE DECIMAL ±0.010	Q.A.	
		THREE PLACE DECIMAL ±0.005	COMMENTS:	
		INTERPRET GEOMETRIC TOLERANCING PER:	-DEBURR all sharp edges.	
		MATERIAL		
NEXT ASSY	USED ON	FINISH		
APPLICATION		DO NOT SCALE DRAWING		

TRIC Tools, Inc.		
TITLE:		
3/4" Monolithic Gripper Assembly		
SIZE	DWG. NO.	REV
A	TTA-GA-34ML	
SCALE: 1:2	WEIGHT: 2 lbs	SHEET 1 OF 1