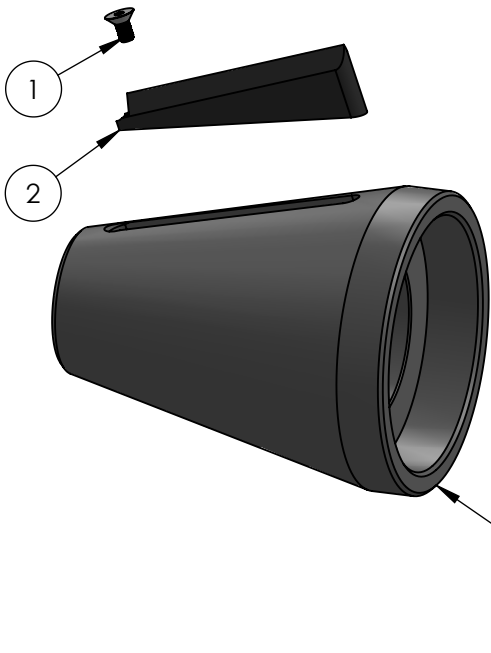
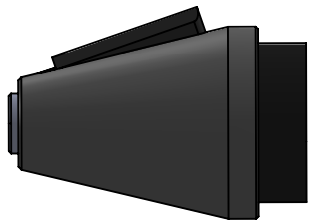


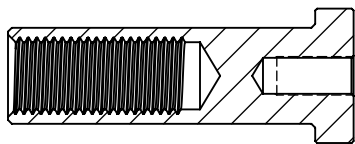
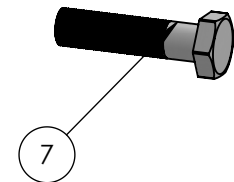
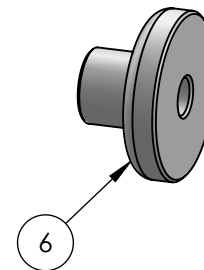
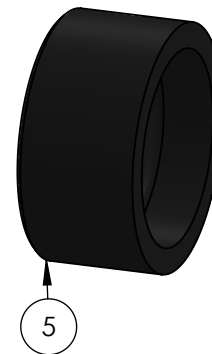
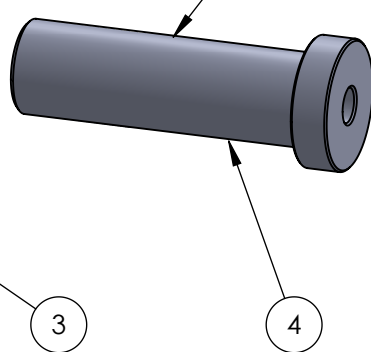
2

1



ITEM NO.	PART NUMBER	DESCRIPTION	QTY.
1	TT-FSNR-DA750F	6" Blade Screw	1
2	TT-HEAD-6BLD	Splitting Blade for 6"/8" Heads	1
3	TT-HEAD-6SHELL	6" Head (Shell) - Quick Lock/Fuse-On	1
4	TT-HEAD-46CORA	Threaded Core Adapter for 4/6" Fuse-On	1
5	TT-HEAD-6PEC	6" PE Cap	1
6	TT-HEAD-6CWA	6" Core Washer	1
7	TT-FSNR-KC4000X	4-6" Core Washer Bolt	1

Alternative pulling core available for open socket cable attachment



PROPRIETARY AND CONFIDENTIAL
 THE INFORMATION CONTAINED IN THIS DRAWING IS THE SOLE PROPERTY OF **TRIC TOOLS, INC.** ANY REPRODUCTION IN PART OR AS A WHOLE WITHOUT THE WRITTEN PERMISSION OF **TRIC TOOLS, INC.** IS PROHIBITED.

		UNLESS OTHERWISE SPECIFIED:		NAME	DATE
		DIMENSIONS ARE IN INCHES	DRAWN	MFD	
		TOLERANCES:	CHECKED	ZWD	11/11/2021
		FRACTIONAL ±	ENG APPR.		
		ANGULAR: MACH ±0.5°	MFG APPR.		
		TWO PLACE DECIMAL ±0.010	Q.A.		
		THREE PLACE DECIMAL ±0.005	COMMENTS:		
		INTERPRET GEOMETRIC TOLERANCING PER:	-DEBURR all sharp edges.		
		MATERIAL			
		FINISH			
NEXT ASSY	USED ON				
APPLICATION		DO NOT SCALE DRAWING			

TRIC Tools, Inc.		
TITLE: 6" Fuse On Head Assembly for Threaded Stud		
SIZE	DWG. NO.	REV
A	TTA-HEAD-6TSASM	
SCALE: 1:5	WEIGHT: 81 lbs	SHEET 1 OF 1

B

B

A

A

2

1