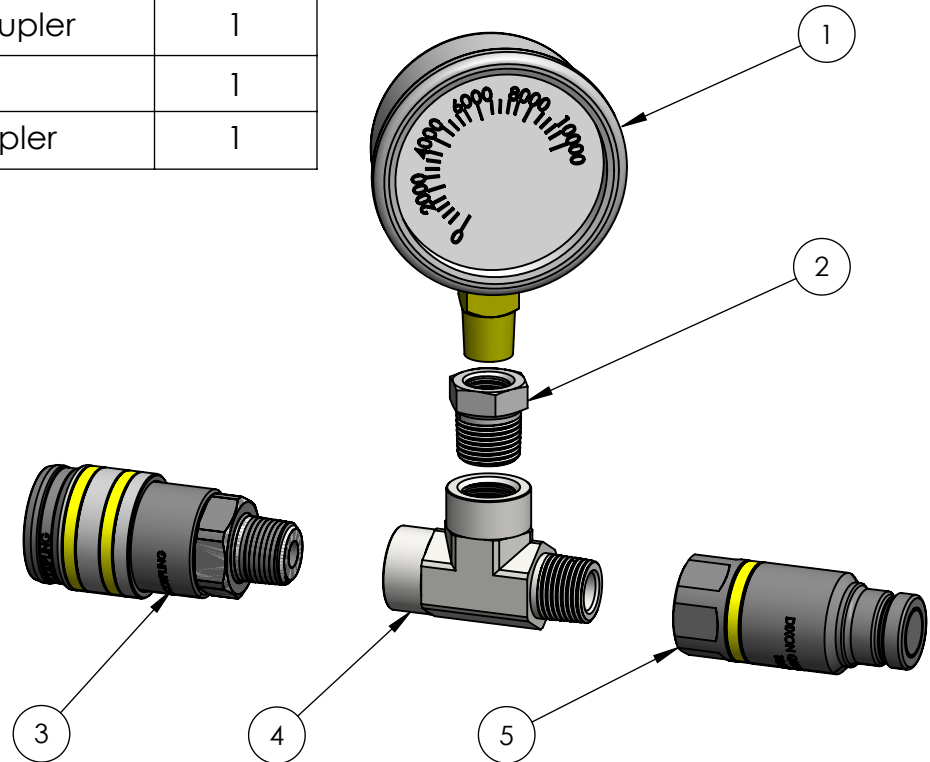
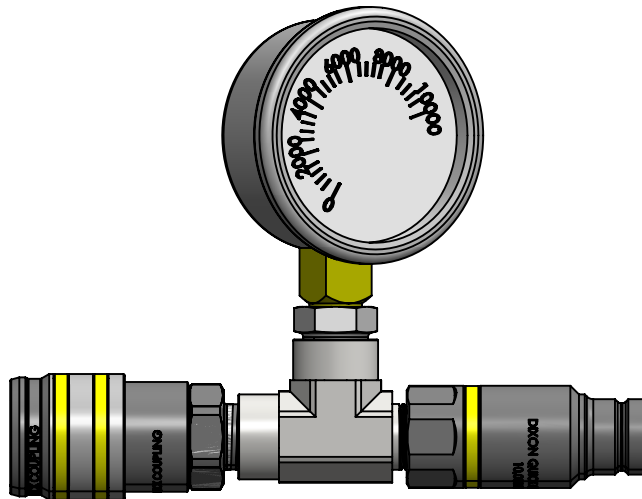


2

1

| ITEM NO. | PART NUMBER | DESCRIPTION | QTY. |
|----------|---------------|--------------------------|------|
| 1 | TT-HFIT-PG10 | 10K PSI Pressure Gauge | 1 |
| 2 | TT-HFIT-PG10R | 3/8 to 1/4 NPT Reducer | 1 |
| 3 | TT-HFIT-DIXF | Female Dixon 10K Coupler | 1 |
| 4 | TT-HFIT-T38M | 3/8 NPT Run Tee | 1 |
| 5 | TT-HFIT-DIXM | Male Dixon 10K Coupler | 1 |



B

B

A

A

PROPRIETARY AND CONFIDENTIAL
 THE INFORMATION CONTAINED IN THIS DRAWING IS THE SOLE PROPERTY OF **TRIC TOOLS, INC.** ANY REPRODUCTION IN PART OR AS A WHOLE WITHOUT THE WRITTEN PERMISSION OF **TRIC TOOLS, INC.** IS PROHIBITED.

| | | | | | |
|-------------|---------|--------------------------------------|--------------------------|------|-----------|
| | | UNLESS OTHERWISE SPECIFIED: | | NAME | DATE |
| | | DIMENSIONS ARE IN INCHES | DRAWN | MFD | |
| | | TOLERANCES: | CHECKED | ZWD | 8/16/2023 |
| | | FRACTIONAL ± | ENG APPR. | | |
| | | ANGULAR: MACH ±0.5° | MFG APPR. | | |
| | | TWO PLACE DECIMAL ±0.010 | Q.A. | | |
| | | THREE PLACE DECIMAL ±0.005 | COMMENTS: | | |
| | | INTERPRET GEOMETRIC TOLERANCING PER: | -DEBURR all sharp edges. | | |
| | | MATERIAL | | | |
| | | FINISH | | | |
| NEXT ASSY | USED ON | | | | |
| APPLICATION | | DO NOT SCALE DRAWING | | | |

| | | |
|--|---------------------------------|--------------|
| TRIC Tools, Inc. | | |
| TITLE: 10K PSI Pressure Guage Assembly | | |
| SIZE A | DWG. NO. TTA-HFIT-PGA | REV |
| SCALE: 1:2 | WEIGHT: | SHEET 1 OF 1 |

2

1