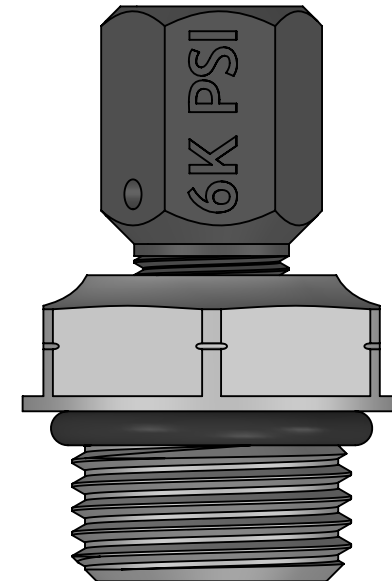
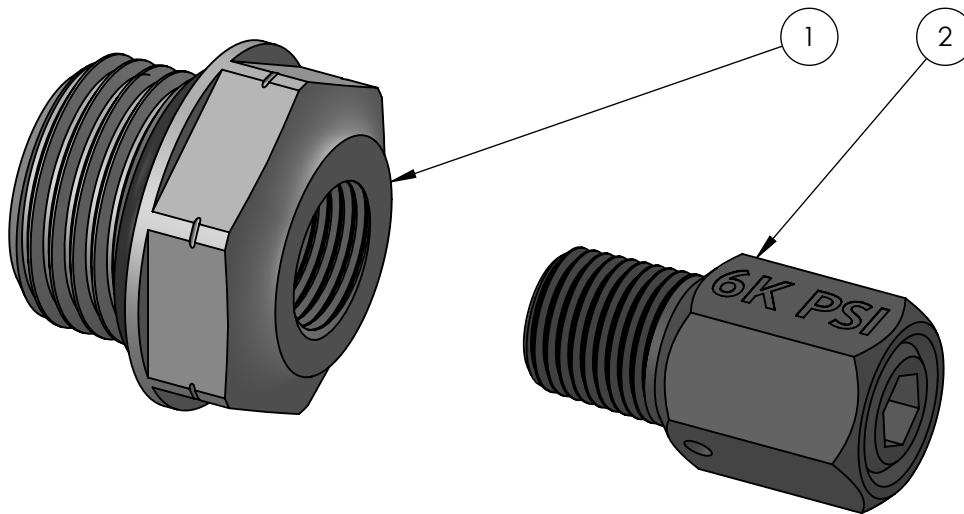


2

1

ITEM NO.	PART NUMBER	DESCRIPTION	QTY.
1	TT-HFIT-PBOCR	-8 ORB to 1/8" NPT Reducer	1
2	TT-PBOC-SRV01	6K PSI Pressure Relief (Self-Sealing)	1



B

B

A

A

PROPRIETARY AND CONFIDENTIAL
 THE INFORMATION CONTAINED IN THIS DRAWING IS THE SOLE PROPERTY OF **TRIC TOOLS, INC.** ANY REPRODUCTION IN PART OR AS A WHOLE WITHOUT THE WRITTEN PERMISSION OF **TRIC TOOLS, INC.** IS PROHIBITED.

		UNLESS OTHERWISE SPECIFIED:		NAME	DATE
		DIMENSIONS ARE IN INCHES	DRAWN	ZWD	3/2021
		TOLERANCES:	CHECKED	ZWD	12/2021
		FRACTIONAL ±	ENG APPR.		
		ANGULAR: MACH ±0.5°	MFG APPR.		
		TWO PLACE DECIMAL ±0.010	Q.A.		
		THREE PLACE DECIMAL ±0.005	COMMENTS:	-DEBURR all sharp edges.	
		INTERPRET GEOMETRIC TOLERANCING PER:			
		MATERIAL			
		FINISH			
NEXT ASSY	USED ON	APPLICATION	DO NOT SCALE DRAWING		

TRIC Tools, Inc.		
TITLE: X30 Pressure Relief Assembly		
SIZE A	DWG. NO. TTA-HFIT-SRV01	REV
SCALE: 2:1	WEIGHT:	SHEET 1 OF 1

2

1