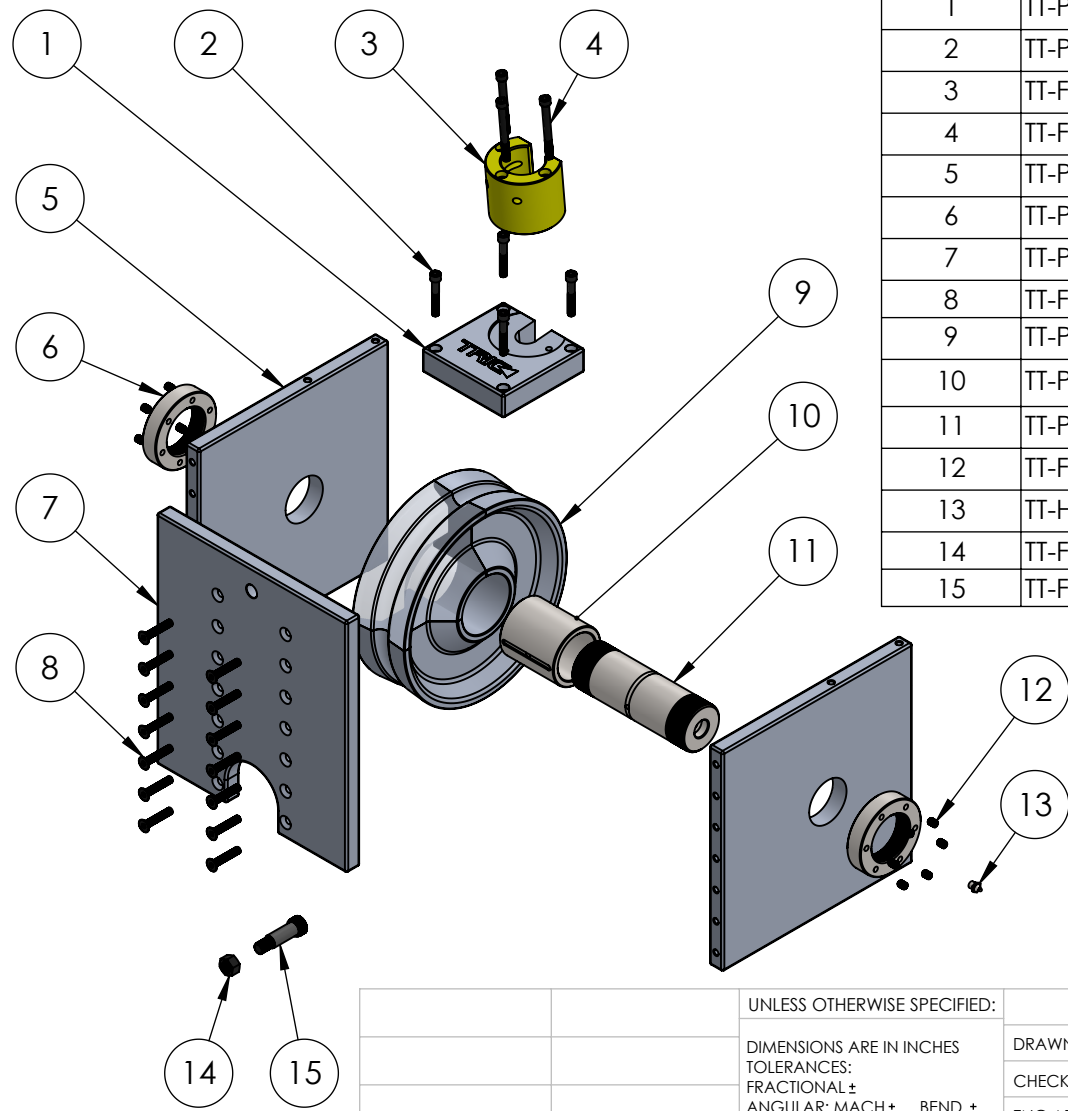
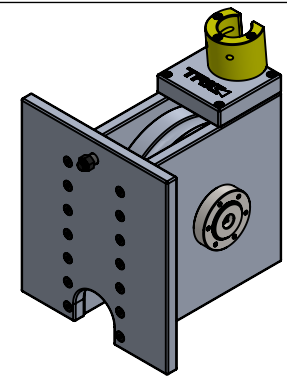


B

B



ITEM NO.	PART NUMBER	DESCRIPTION	QTY.
1	TT-PB12-TOPP	12" Pulley Base Top Plate	1
2	TT-PB00-LSA	Locking Steel Annulus	1
3	TT-FSNR-DA2250C	12" PB Top Plate Screw	4
4	TT-FSNR-DA4000C	Locking Steel Annulus Bolt	3
5	TT-PB12-SIDE	12" Pulley Base Side Plate	2
6	TT-PB12-NUT	12" Pulley Base Nut	2
7	TT-PB12-FRNT	12" Pulley Base Front Plate	1
8	TT-FSNR-DA2000F	12" PB Front Plate Screw	14
9	TT-PB12-PLLYB	12" Lightweight Pulley Wheel	1
10	TT-PB12-BUSH	12" Pulley Base Bushing	1
11	TT-PB12-SHFT	12" Pulley Base Shaft	1
12	TT-FSNR-DA500S	12" Pulley Base Nut Set Screw	12
13	TT-HFIT-ZERK	Zerk Grease Fitting	1
14	TT-FSNR-GAN	Resistance Plate Nut	1
15	TT-FSNR-GA1750H	Resistance Plate Shoulder Bolt	1



A

A

PROPRIETARY AND CONFIDENTIAL
 THE INFORMATION CONTAINED IN THIS DRAWING IS THE SOLE PROPERTY OF **TRIC TOOLS, INC.** ANY REPRODUCTION IN PART OR AS A WHOLE WITHOUT THE WRITTEN PERMISSION OF **TRIC TOOLS, INC.** IS PROHIBITED.

		UNLESS OTHERWISE SPECIFIED:		NAME	DATE
		DIMENSIONS ARE IN INCHES	DRAWN	ZWD	3/9/2022
		TOLERANCES:	CHECKED	ZWD	3/31/2022
		FRACTIONAL ±	ENG APPR.		
		ANGULAR: MACH ± BEND ±	MFG APPR.		
		TWO PLACE DECIMAL ±	Q.A.		
		THREE PLACE DECIMAL ±	COMMENTS:		
		INTERPRET GEOMETRIC TOLERANCING PER:			
		MATERIAL			
		FINISH			
NEXT ASSY	USED ON				
	APPLICATION	DO NOT SCALE DRAWING			

TRIC Tools, Inc.

TITLE:
12" Lightweight Pulley Base Assembly

SIZE	DWG. NO.	REV
A	TTA-PB12-ASMB	A

SCALE: 1:10 WEIGHT: 124 lb SHEET 1 OF 1