

2

1

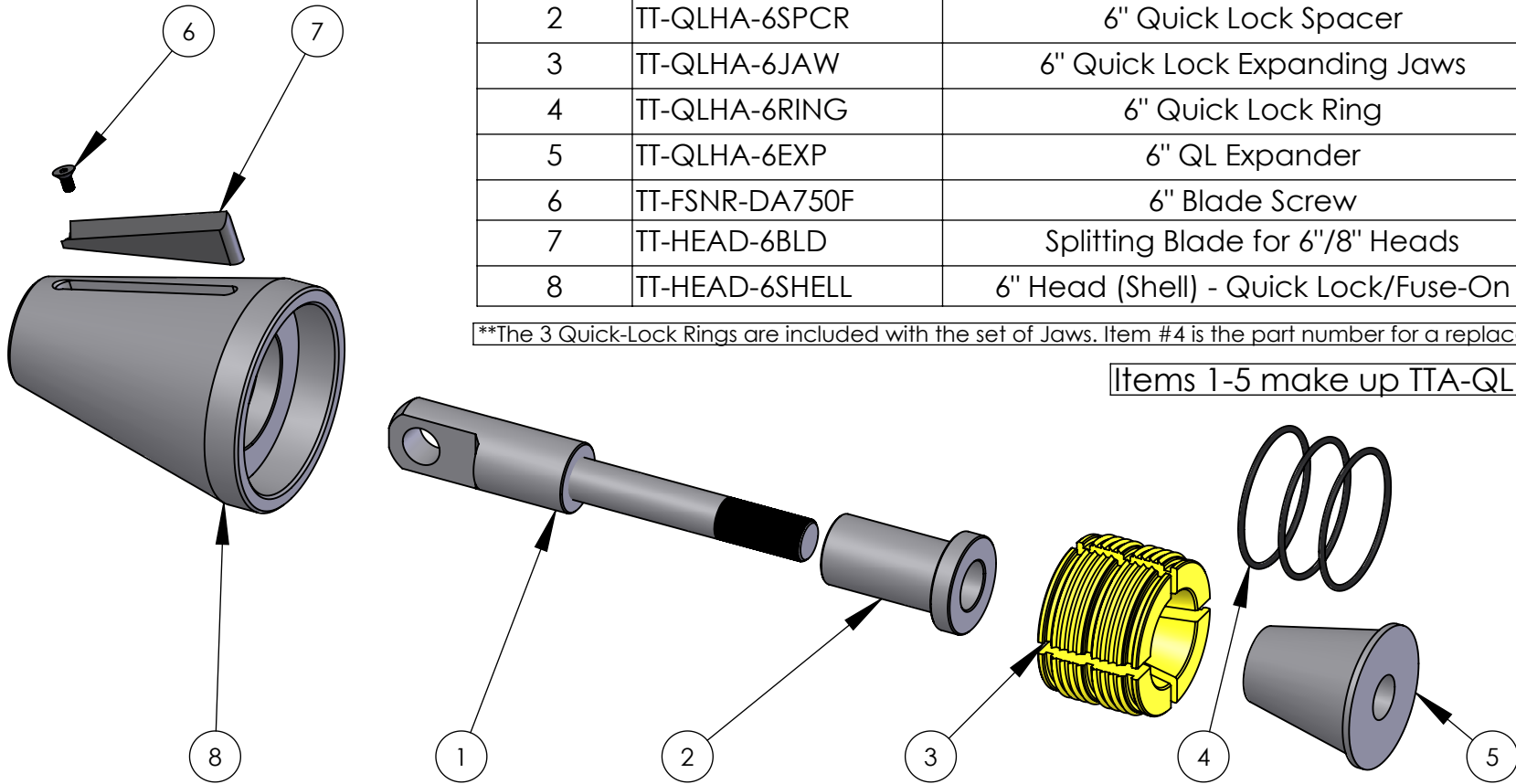
ITEM NO.	PART NUMBER	DESCRIPTION	QTY.
1	TT-QLHA-6CSSA	6" Closed Socket Shaft Assembly	1
2	TT-QLHA-6SPCR	6" Quick Lock Spacer	1
3	TT-QLHA-6JAW	6" Quick Lock Expanding Jaws	1
4	TT-QLHA-6RING	6" Quick Lock Ring	-
5	TT-QLHA-6EXP	6" QL Expander	1
6	TT-FSNR-DA750F	6" Blade Screw	1
7	TT-HEAD-6BLD	Splitting Blade for 6"/8" Heads	1
8	TT-HEAD-6SHELL	6" Head (Shell) - Quick Lock/Fuse-On	1

The 3 Quick-Lock Rings are included with the set of Jaws. Item #4 is the part number for a replacement Ring

Items 1-5 make up TTA-QLHA-6PCA

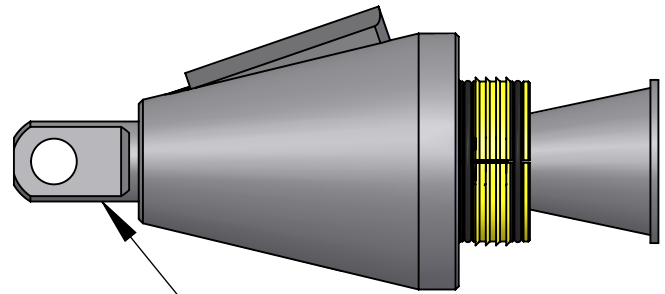
B

B



A

A



Alternative pulling core available for threaded stud cable attachment

	NAME	DATE	TRIC Tools, Inc.	
DRAWN	MFD		TITLE:	
CHECKED	ZWD	1/14/2022	6" Quick-Lock Bursting Head	
ENG APPR.			SIZE	DWG. NO.
MFG APPR.			A	TTA-QLHA-6ASM
Q.A.			REV	A
COMMENTS:			SCALE: 1:6	WEIGHT: 106 lbs
				SHEET 1 OF 1

2

1