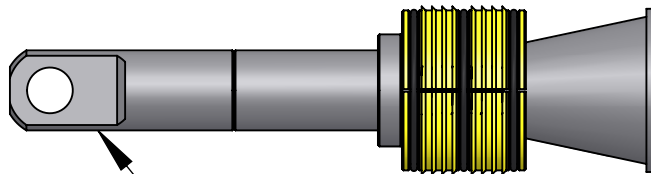
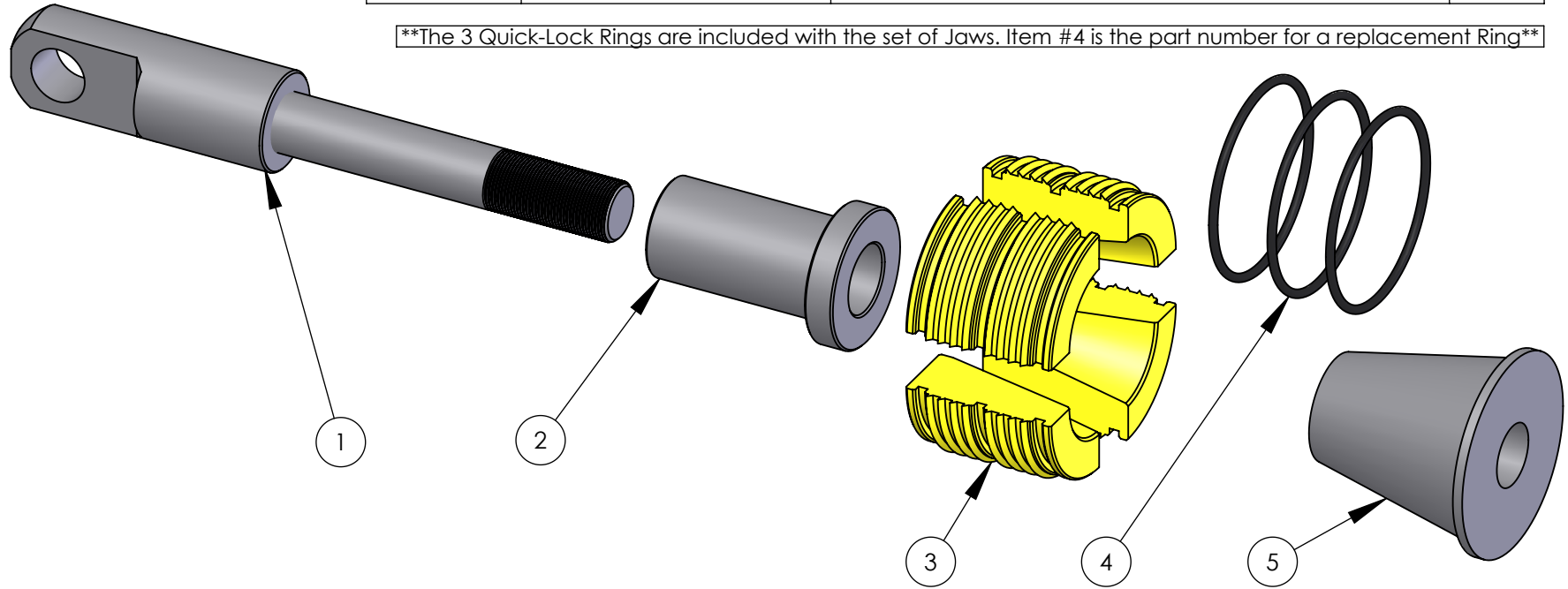


2

1

ITEM NO.	PART NUMBER	DESCRIPTION	QTY.
1	TT-QLHA-6CSSA	6" Closed Socket Shaft Assembly	1
2	TT-QLHA-6SPCR	6" Quick Lock Spacer	1
3	TT-QLHA-6JAW	6" Quick Lock Expanding Jaws	1
4	TT-QLHA-6RING	6" Quick Lock Ring	-
5	TT-QLHA-6EXP	6" QL Expander	1

\*\*The 3 Quick-Lock Rings are included with the set of Jaws. Item #4 is the part number for a replacement Ring\*\*



Alternative pulling core available for threaded stud cable attachment

	NAME	DATE	TRIC Tools, Inc.	
DRAWN	MFD		TITLE: 6" Quick-Lock Pulling Core Assembly	
CHECKED	ZWD	1/14/2022	SIZE <b>A</b>	DWG. NO. TTA-QLHA-6PCA
ENG APPR.			SCALE: 1:6	REV <b>A</b>
MFG APPR.			WEIGHT: 46 lbs	SHEET 1 OF 1
Q.A.				
COMMENTS:				

B

B

A

A

2

1