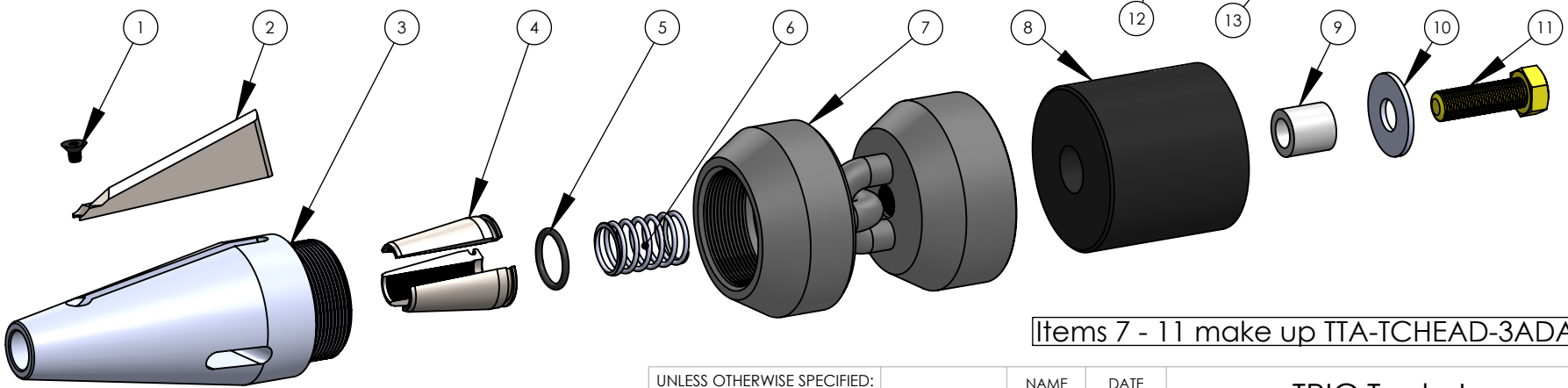


ITEM NO.	PART NUMBER	DESCRIPTION	QTY.
1	TT-TCHEAD-NOSE	Triple Chuck Head Nose	1
2	TT-HEAD-4BLD	4" Blade	1
3	TT-FSNR-BA375F	4" Preburster Blade Screw	1
4	TT-TCHEAD-GRPR	Triple Chuck Gripper	1
5	TT-TCHEAD-OR125	Triple Chuck O-Ring	-
6	TT-TC-SPRING	Triple Chuck Spring	1
7	TT-TCHEAD-CLJ-3IN	3" Triple Chuck Head Joint	1
8	TT-HEAD-3PEC	3" PE Cap	1
9	TT-FSNR-3CSP	3" Head Core Spacer	1
10	TT-FSNR-W625	3" Head Core Washer	1
11	TT-FSNR-GB2000X	3In Core Washer Bolt	1
12	TT-TCHEAD-CRT	Triple Chuck Removal Tool	1
13	TT-RELUBE	Triple Chuck Teflon Lubricant	1

B

B



Items 1-6 make up TTA-TCNOSE-ASM

Items 7 - 11 make up TTA-TCHEAD-3ADAP

A

A

\*\*The Triple-Chuck O-Ring is included with the Gripper. Item #5 is the part number for a replacement O-Ring\*\*

**PROPRIETARY AND CONFIDENTIAL**  
 THE INFORMATION CONTAINED IN THIS DRAWING IS THE SOLE PROPERTY OF TRIC TOOLS, INC. ANY REPRODUCTION IN PART OR AS A WHOLE WITHOUT THE WRITTEN PERMISSION OF TRIC TOOLS, INC. IS PROHIBITED.

UNLESS OTHERWISE SPECIFIED:	NAME	DATE
DIMENSIONS ARE IN INCHES	DRAWN	
TOLERANCES:	CHECKED	ZWD 2/3/2022
FRACTIONAL ±	ENG APPR.	
ANGULAR: MACH ± BEND ±	MFG APPR.	
TWO PLACE DECIMAL ±	Q.A.	
THREE PLACE DECIMAL ±	COMMENTS:	
INTERPRET GEOMETRIC TOLERANCING PER:		
MATERIAL		
FINISH		
DO NOT SCALE DRAWING		

TRIC Tools, Inc.		
TITLE: 3" Triple-Chuck Head Assembly		
SIZE <b>A</b>	DWG. NO. TTA-TCHEAD-3ASM	REV <b>D</b>
SCALE: 1:3.5 WEIGHT: 21 lbs. SHEET 1 OF 1		