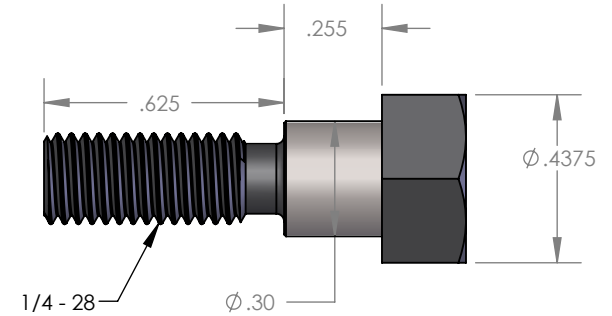
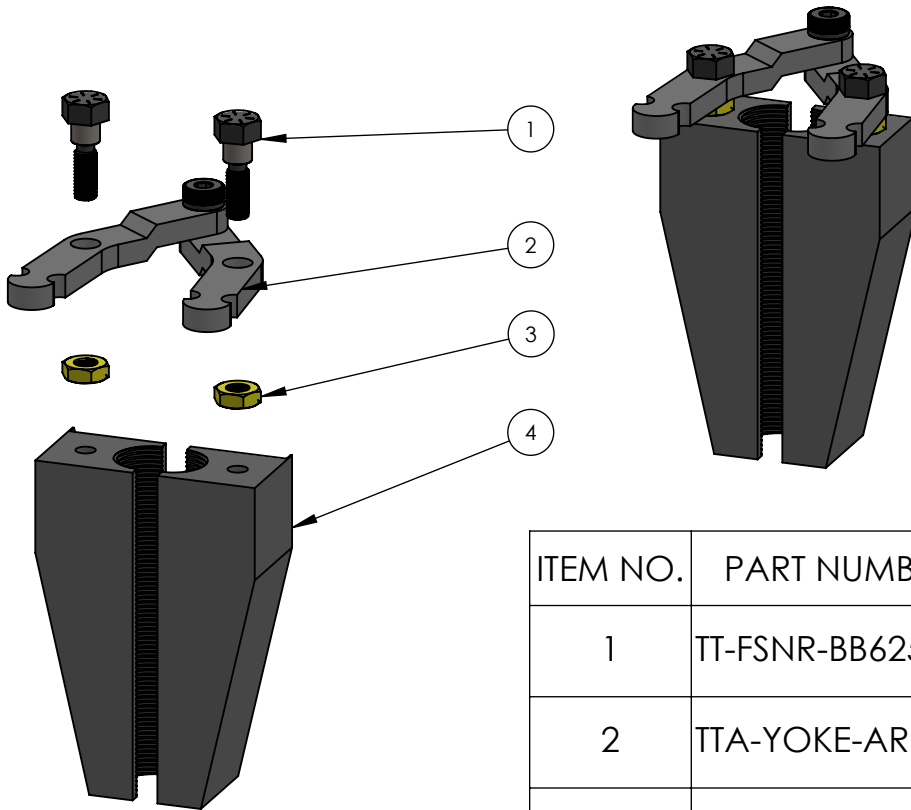


2

1

B

B



ITEM NO.	PART NUMBER	DESCRIPTION	QTY.
1	TT-FSNR-BB625H	Shoulder Screw (Towerless Grippers)	2
2	TTA-YOKE-ARMP	Monolithic Gripper Yoke Arm Assembly	1
3	TT-FSNR-BBN	Thin Nut (Towerless Grippers)	2
4	TT-GRPR-34ML	3/4" Monolithic Gripper Pair	1

A

A

PROPRIETARY AND CONFIDENTIAL
 THE INFORMATION CONTAINED IN THIS DRAWING IS THE SOLE PROPERTY OF **TRIC TOOLS, INC.** ANY REPRODUCTION IN PART OR AS A WHOLE WITHOUT THE WRITTEN PERMISSION OF **TRIC TOOLS, INC.** IS PROHIBITED.

		UNLESS OTHERWISE SPECIFIED:		NAME	DATE
		DIMENSIONS ARE IN INCHES	DRAWN	MFD	
		TOLERANCES:	CHECKED	ZWD	5/20/2022
		FRACTIONAL ±	ENG APPR.		
		ANGULAR: MACH ±0.5°	MFG APPR.		
		TWO PLACE DECIMAL ±0.010	Q.A.		
		THREE PLACE DECIMAL ±0.005	COMMENTS:	-DEBURR all sharp edges.	
		INTERPRET GEOMETRIC TOLERANCING PER:			
		MATERIAL			
NEXT ASSY	USED ON	FINISH			
APPLICATION		DO NOT SCALE DRAWING			

TRIC Tools, Inc.		
TITLE: 3/4" Short Gripper Assembly		
SIZE A	DWG. NO. TTA-SGA-34ML	REV A
SCALE: 1:2	WEIGHT: 2 lbs	SHEET 1 OF 1

2

1