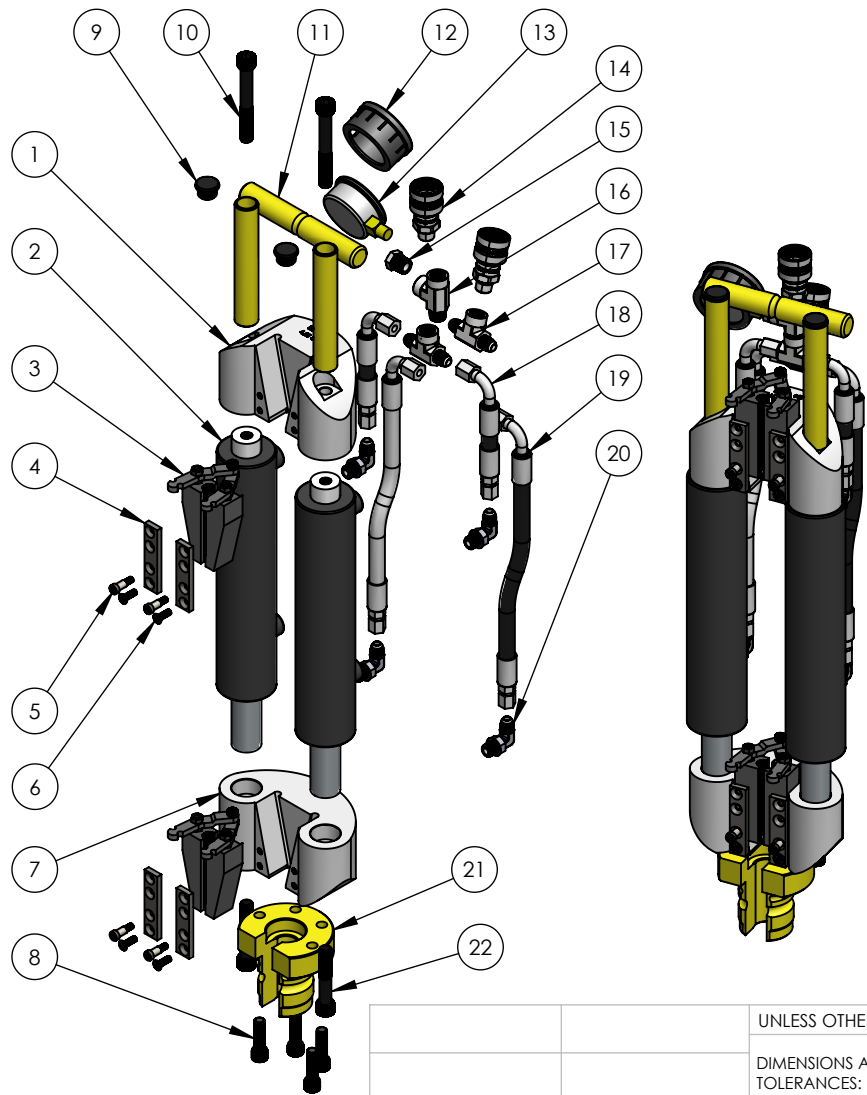


B

B



ITEM NO.	PART NUMBER	DESCRIPTION	QTY.
1	TT-BRDG-E24P	24 Ton Pulling Bridge	1
2	TT-CYL-1751258	E24 Cylinder	2
3	TTA-SGA-58ML	5/8" Short Gripper Assembly	2
4	TT-GCPS-INTP	Gripper Cover Plate (Interchangeable) Pair	2
5	TT-FSNR-BA500H	Shoulder Screw (Cover Plate) Medium	4
6	TT-FSNR-BA750F	Cover Plate Screw	4
7	TT-BRDG-E24R	24 Ton Retaining Bridge	1
8	TT-FSNR-EB1500C	Nose Bolt	4
9	TT-HAND-PLUG	Plastic Handle Plug	2
10	TT-FSNR-FB3750C	Handle Bolt	2
11	TT-HAND-HXE	E24 Handle	1
12	TT-HFIT-GCP	Gauge Cover Protector	1
13	TT-HFIT-PG10	10K PSI Pressure Gauge	1
14	TT-HFIT-PIODXF	Screw-Together Hose Fitting	2
15	TT-HFIT-PG10R	3/8 to 1/4 NPT Reducer	1
16	TT-HFIT-T38M	3/8" NPT Tee	1
17	TT-HFIT-TBF	Female Branch Tee NPT to JIC	2
18	TT-HOSE-24S	E24 Hose (Short)	2
19	TT-HOSE-24L	E24 Hose (Long)	2
20	TT-HFIT-LOB38	3/8" Elbow at 90-Deg.	4
21	TT-NOSE-LSFB	Locking Steel Four Bolt Nose	1
22	TT-FSNR-FB2750C	E24 Lower Bridge Bolt	2

A

A

PROPRIETARY AND CONFIDENTIAL
 THE INFORMATION CONTAINED IN THIS DRAWING IS THE SOLE PROPERTY OF **TRIC TOOLS, INC.** ANY REPRODUCTION IN PART OR AS A WHOLE WITHOUT THE WRITTEN PERMISSION OF **TRIC TOOLS, INC.** IS PROHIBITED.

		UNLESS OTHERWISE SPECIFIED:		NAME	DATE
		DIMENSIONS ARE IN INCHES	DRAWN	ZWD	2/25/22
		TOLERANCES:	CHECKED	ZWD	11/21/2022
		FRACTIONAL ±	ENG APPR.		
		ANGULAR: MACH ±0.5°	MFG APPR.		
		TWO PLACE DECIMAL ±0.010	Q.A.		
		THREE PLACE DECIMAL ±0.005	COMMENTS:		
		INTERPRET GEOMETRIC TOLERANCING PER:	-DEBURR all sharp edges.		
		MATERIAL			
		FINISH			
NEXT ASSY	USED ON				
APPLICATION		DO NOT SCALE DRAWING			

TRIC Tools, Inc.

TITLE:
**E24 Exploded View
 (1.75" Cylinders)**

SIZE	DWG. NO.	REV
A	TTP-HPLS-E24	

SCALE: 1:8 WEIGHT: SHEET 1 OF 1