

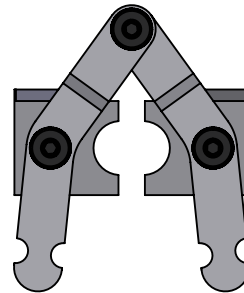
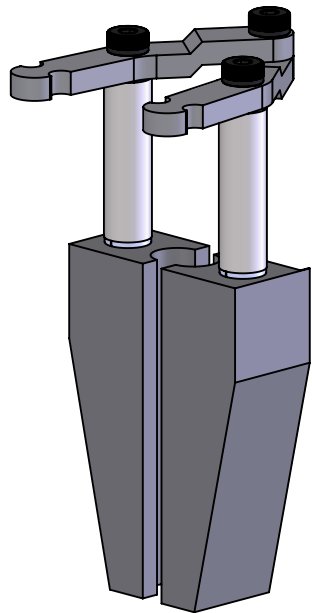
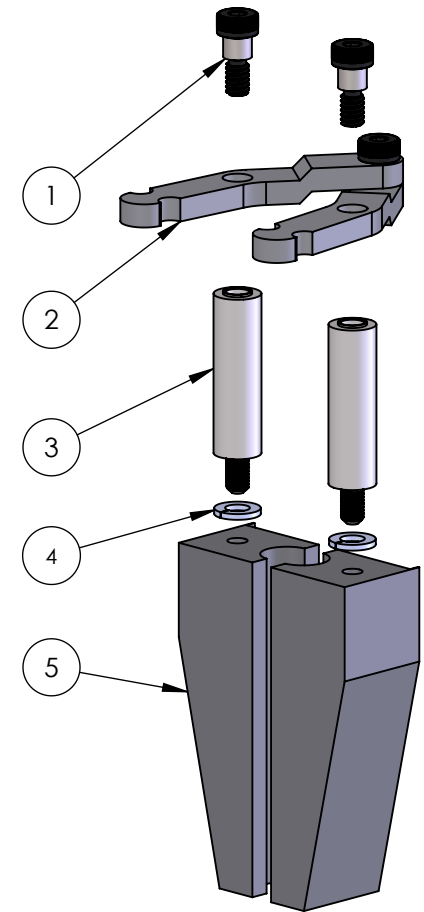
2

1

ITEM NO.	PART NUMBER	DESCRIPTION	QTY.
1	TT-FSNR-BA313H	Shoulder Screw (Short)	2
2	TTA-YOKE-ARMP	Monolithic Gripper Yoke Arm Assembly	1
3	TT-YOKE-ASM	Yoke Tower	2
4	TT-FSNR-YLW	1/4" Split Lock Washer	2
5	TT-GRPR-58ML	5/8" Monolithic Gripper	1

B

B



Items 1-4 make up TTA-GA-YASM

A

A

PROPRIETARY AND CONFIDENTIAL
 THE INFORMATION CONTAINED IN THIS DRAWING IS THE SOLE PROPERTY OF **TRIC TOOLS, INC.** ANY REPRODUCTION IN PART OR AS A WHOLE WITHOUT THE WRITTEN PERMISSION OF **TRIC TOOLS, INC.** IS PROHIBITED.

		UNLESS OTHERWISE SPECIFIED:	NAME	DATE	TRIC Tools, Inc.			
		DIMENSIONS ARE IN INCHES	DRAWN	MFD	TITLE: 5/8" Monolithic Gripper Assembly			
		TOLERANCES:	CHECKED	ZWD			10/26/2021	
		FRACTIONAL ±	ENG APPR.					
		ANGULAR: MACH ±0.5°	MFG APPR.					
		TWO PLACE DECIMAL ±0.010	Q.A.					
		THREE PLACE DECIMAL ±0.005	COMMENTS: -DEBURR all sharp edges.					
		INTERPRET GEOMETRIC TOLERANCING PER:				SIZE	DWG. NO.	REV
		MATERIAL				A	TTA-GA-58ML	
NEXT ASSY	USED ON	FINISH				SCALE: 1:2	WEIGHT:	SHEET 1 OF 1
APPLICATION		DO NOT SCALE DRAWING						

2

1