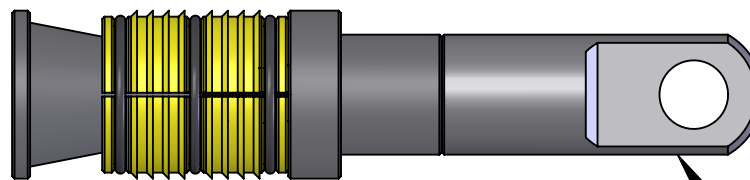
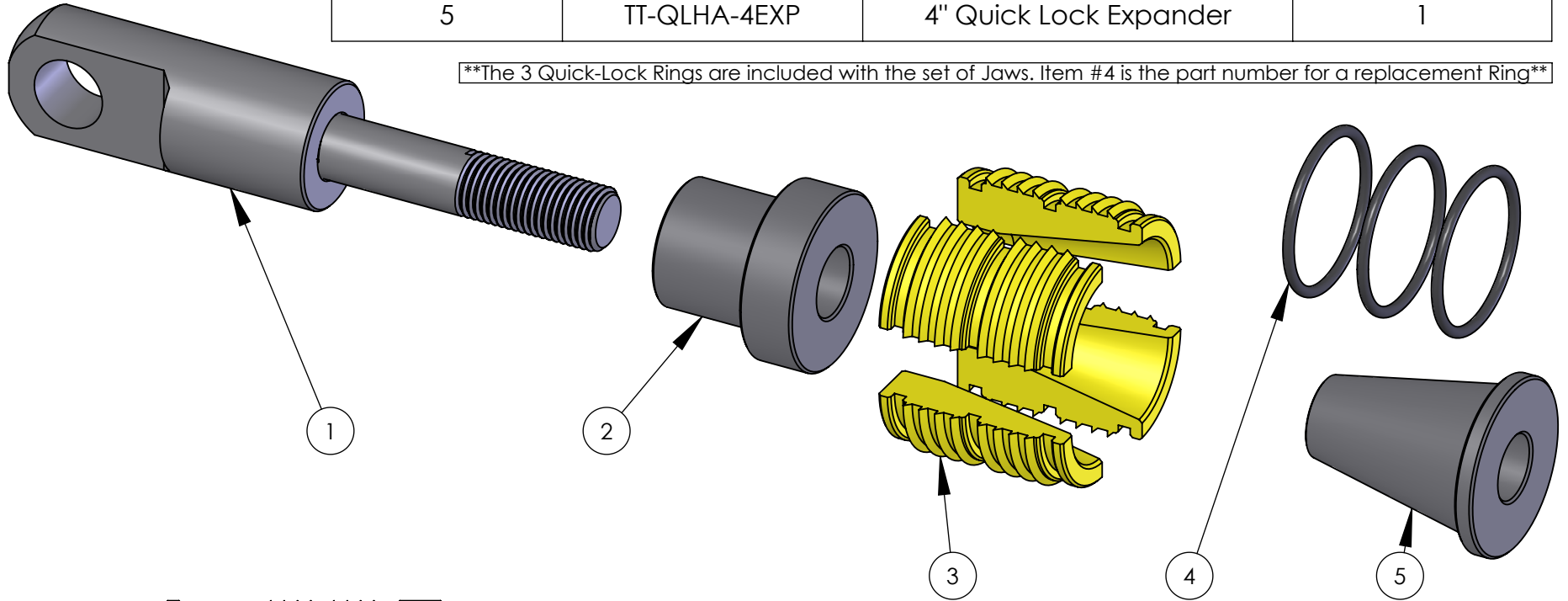


2

1

| ITEM NO. | PART NUMBER   | DESCRIPTION                     | TTA-QLHA-4PCA |
|----------|---------------|---------------------------------|---------------|
| 1        | TT-QLHA-4CSSA | 4" Closed Socket Shaft Assembly | 1             |
| 2        | TT-QLHA-4SPCR | 4" Quick Lock Spacer            | 1             |
| 3        | TT-QLHA-4JAW  | 4" Quick Lock Head Jaws         | 1             |
| 4        | TT-QLHA-4RING | 4" Quick Lock Ring              | -             |
| 5        | TT-QLHA-4EXP  | 4" Quick Lock Expander          | 1             |

\*\*The 3 Quick-Lock Rings are included with the set of Jaws. Item #4 is the part number for a replacement Ring\*\*



Alternative pulling core available for threaded stud cable attachment

|           | NAME | DATE      |
|-----------|------|-----------|
| DRAWN     | MFD  |           |
| CHECKED   | ZWD  | 1/14/2022 |
| ENG APPR. |      |           |
| MFG APPR. |      |           |
| Q.A.      |      |           |
| COMMENTS: |      |           |

TRIC Tools, Inc.

TITLE: 4" Quick-Lock Pulling Core Assembly

|          |               |          |
|----------|---------------|----------|
| SIZE     | DWG. NO.      | REV      |
| <b>A</b> | TTA-QLHA-4PCA | <b>A</b> |

SCALE: 1:4 | WEIGHT: 23 lbs | SHEET 1 OF 1

B

B

A

A

2

1