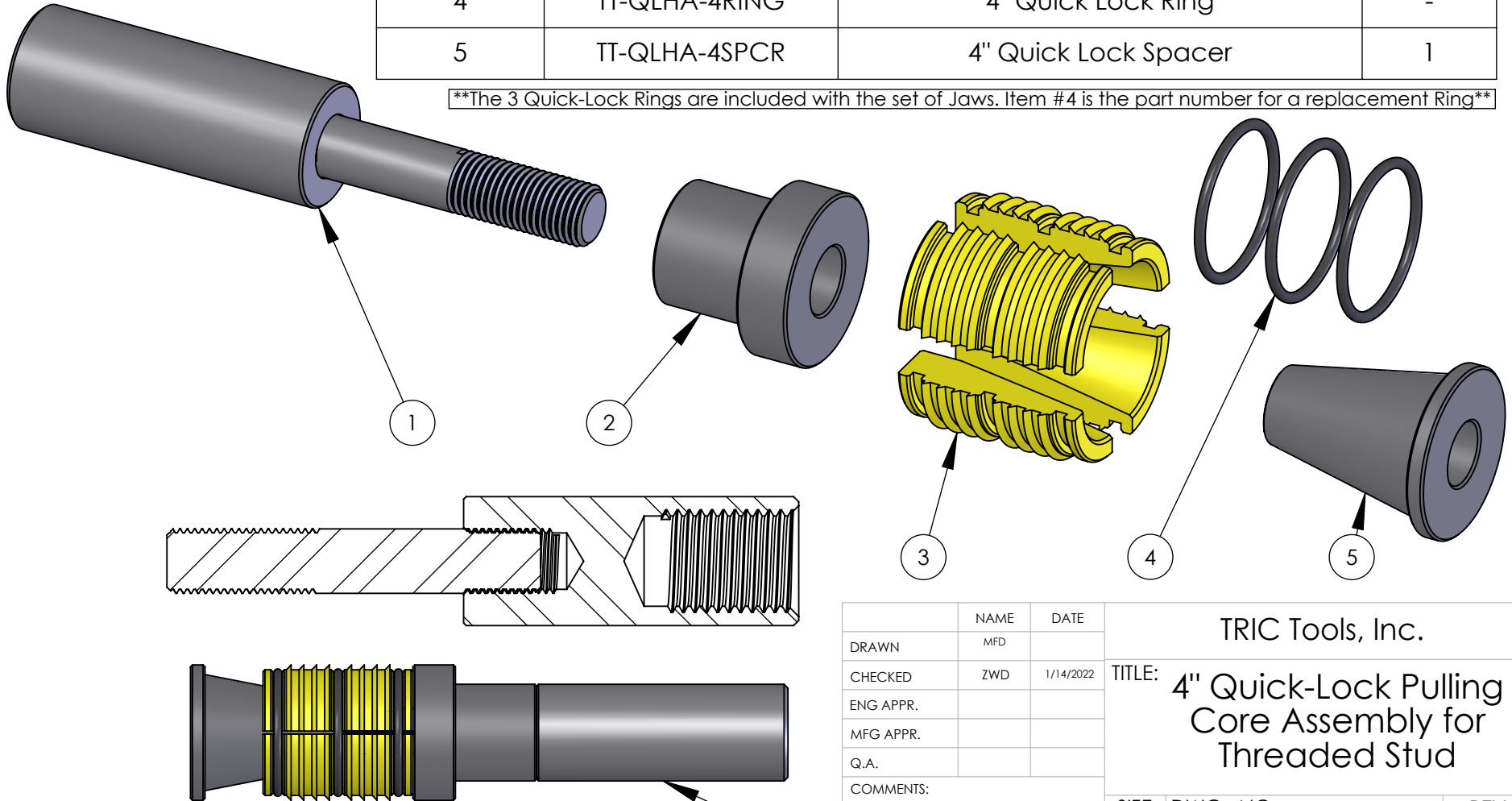


ITEM NO.	PART NUMBER	DESCRIPTION	QTY.
1	TT-QLHA-4TSSA	4" Shaft Assembly for Threaded Stud	1
2	TT-QLHA-4EXP	4" Quick Lock Expander	1
3	TT-QLHA-4JAW	4" Quick Lock Head Jaws	1
4	TT-QLHA-4RING	4" Quick Lock Ring	-
5	TT-QLHA-4SPCR	4" Quick Lock Spacer	1

\*\*The 3 Quick-Lock Rings are included with the set of Jaws. Item #4 is the part number for a replacement Ring\*\*



Alternative pulling core available for open socket cable attachment

	NAME	DATE	TRIC Tools, Inc.	
DRAWN	MFD		TITLE: 4" Quick-Lock Pulling Core Assembly for Threaded Stud	
CHECKED	ZWD	1/14/2022	SIZE	DWG. NO.
ENG APPR.			<b>A</b>	TTA-QLHA-4TPCA
MFG APPR.			SCALE: 1:4	WEIGHT: 23 lbs
Q.A.			SHEET 1 OF 1	REV
COMMENTS:				<b>A</b>