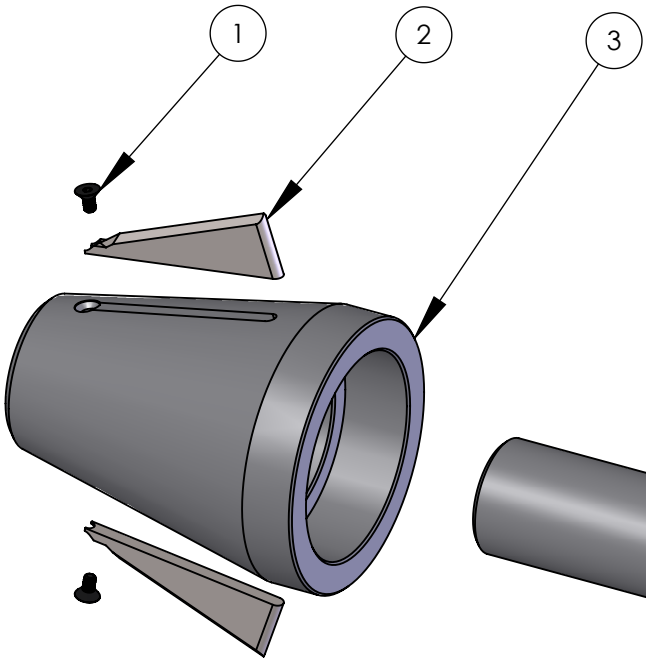


2

1

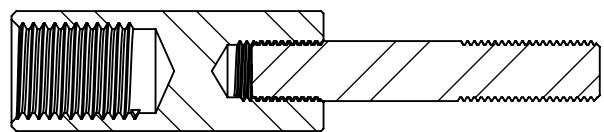
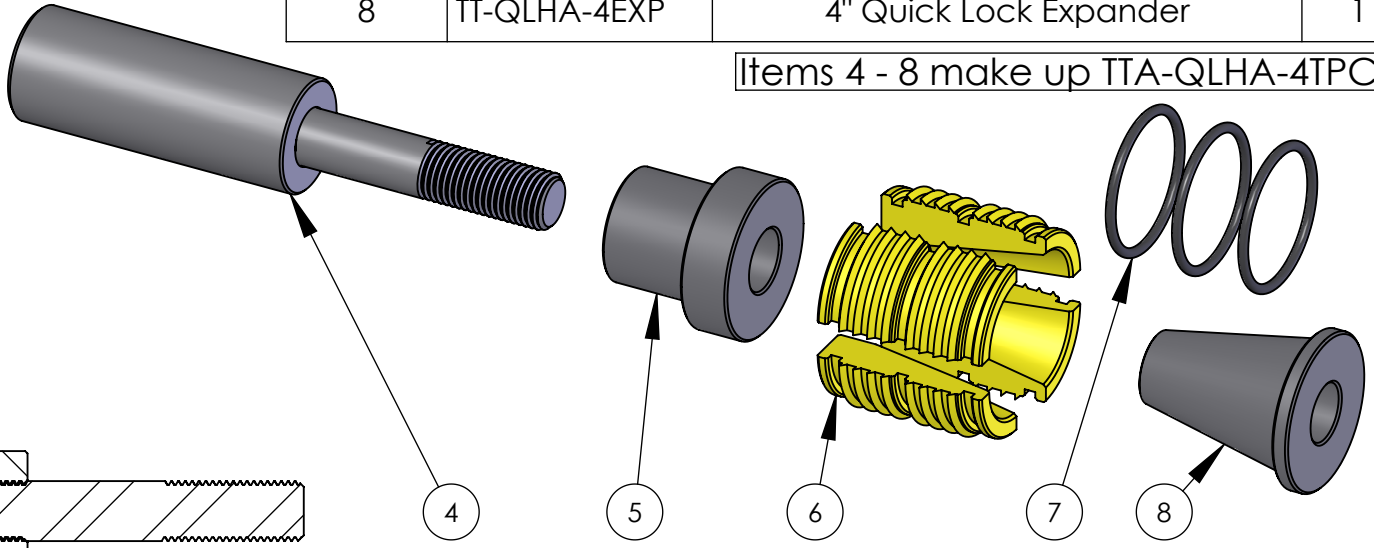
B

B



ITEM NO.	PART NUMBER	DESCRIPTION	QTY.
1	TT-FSNR-BA500F	4" Blade Screw	2
2	TT-HEAD-4BLD	4" Blade	2
3	TT-HEAD-4SHELL	4" Head (Shell) - Quick Lock/Fuse-On	1
4	TT-QLHA-4TSSA	4" Shaft Assembly for Threaded Stud	1
5	TT-QLHA-4SPCR	4" Quick Lock Spacer	1
6	TT-QLHA-4JAW	4" Quick Lock Head Jaws	1
7	TT-QLHA-4RING	4" Quick Lock Ring	-
8	TT-QLHA-4EXP	4" Quick Lock Expander	1

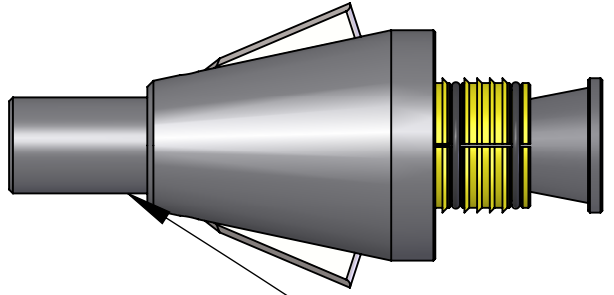
Items 4 - 8 make up TTA-QLHA-4TPCA



The 3 Quick-Lock Rings are included with the set of Jaws. Item #7 is the part number for a replacement Ring

A

A



Alternative pulling core available for open socket cable attachment

	NAME	DATE
DRAWN	MFD	
CHECKED	ZWD	1/14/2022
ENG APPR.		
MFG APPR.		
Q.A.		
COMMENTS:		

TRIC Tools, Inc.
 TITLE: 4" Quick-Lock Head Assembly for Threaded Stud

SIZE **A** DWG. NO. TTA-QLHA-4TSASM REV **A**

SCALE: 1:4 WEIGHT: 47 lbs SHEET 1 OF 1

2

1