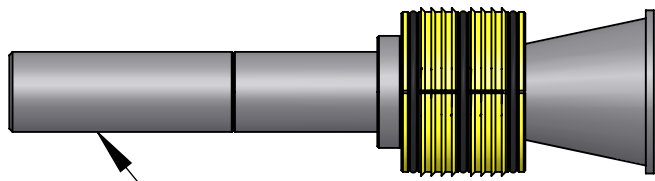
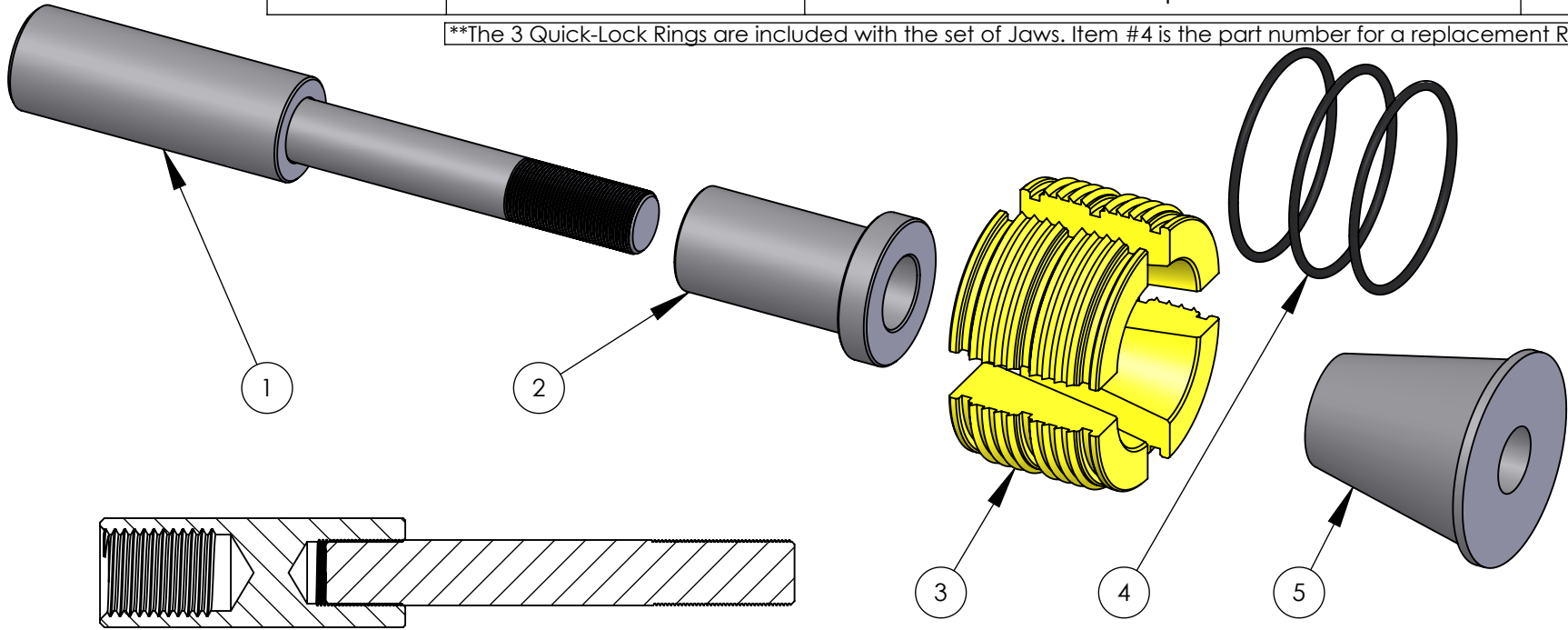


2

1

ITEM NO.	PART NUMBER	DESCRIPTION	QTY.
1	TT-QLHA-6TSSA	6" Shaft Assembly for Threaded Stud	1
2	TT-QLHA-6SPCR	6" Quick Lock Spacer	1
3	TT-QLHA-6JAW	6" Quick Lock Expanding Jaws	1
4	TT-QLHA-6RING	6" Quick Lock Ring	-
5	TT-QLHA-6EXP	6" QL Expander	1

The 3 Quick-Lock Rings are included with the set of Jaws. Item #4 is the part number for a replacement Ring



Alternative pulling core available for closed socket cable attachment

DRAWN		NAME	DATE	TRIC Tools, Inc.	
CHECKED		MFD		TITLE: 6" Quick-Lock Pulling Core Assembly for Threaded Stud	
ENG APPR.		ZWD	1/14/2022	SIZE	DWG. NO.
MFG APPR.				A	TTA-QLHA-6TPCA
Q.A.				REV	A
COMMENTS:				SCALE: 1:6	WEIGHT: 46 lbs
				SHEET 1 OF 1	

2

1

B

B

A

A